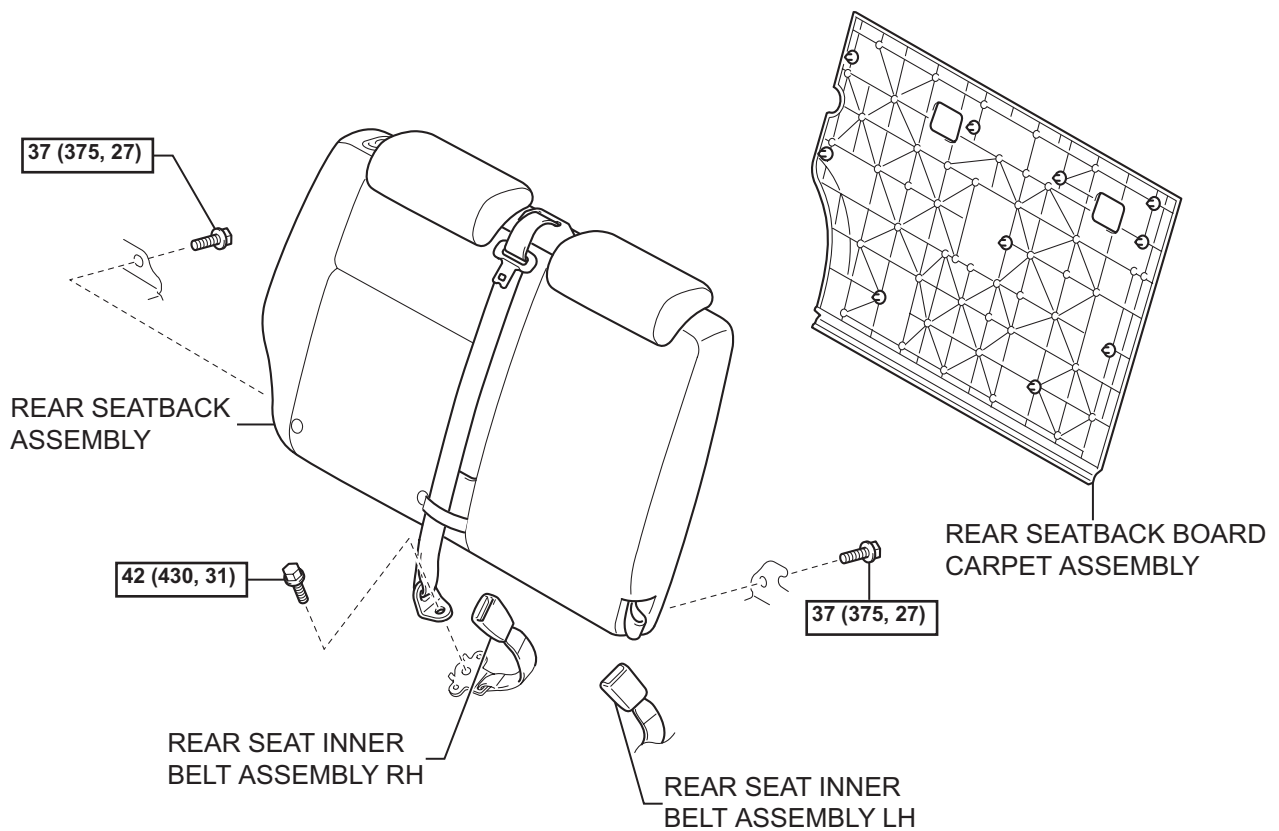


# REAR CENTER SEAT OUTER BELT ASSEMBLY

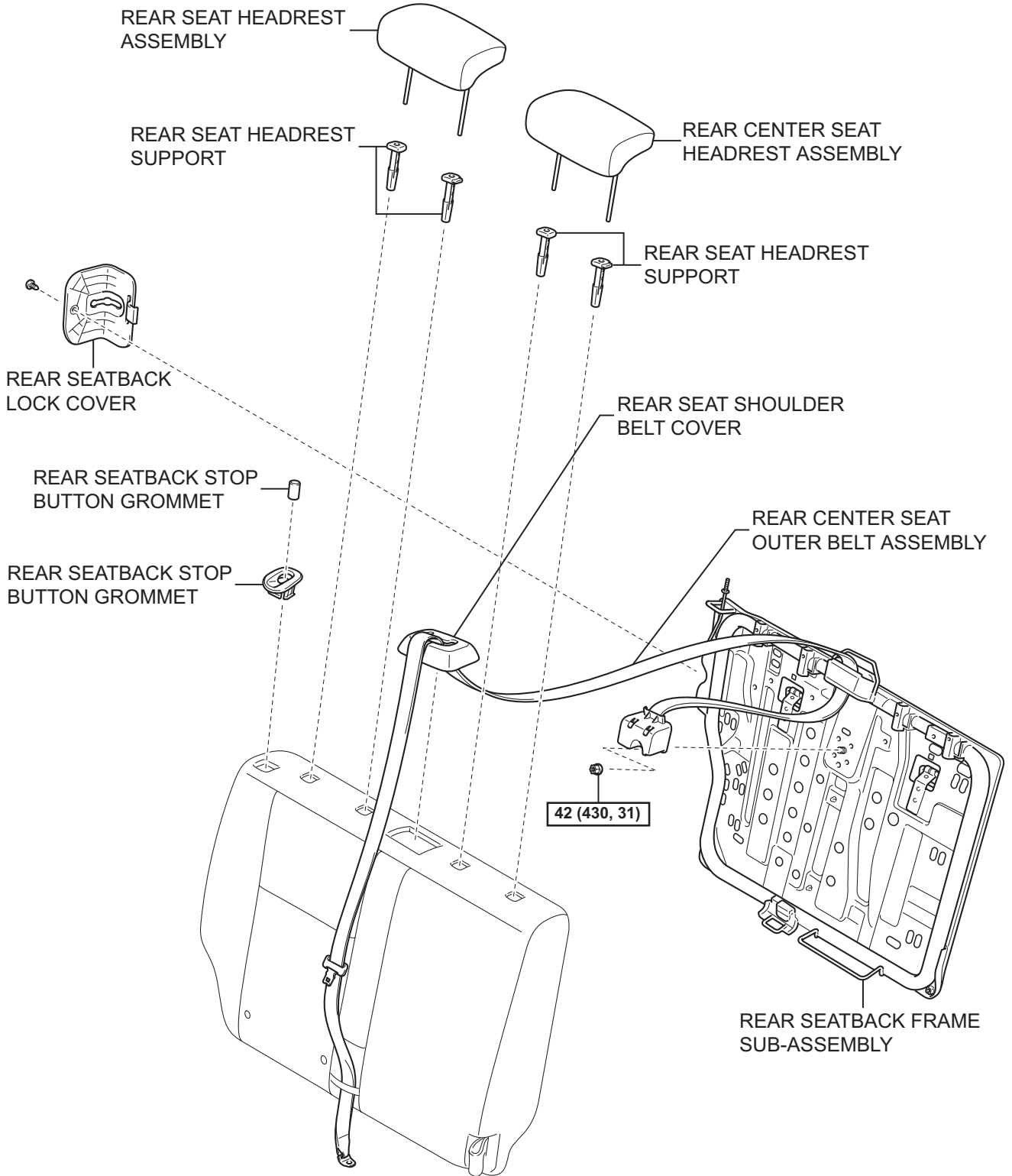
## COMPONENTS



SB

**N\*m (kgf\*cm, ft\*lbf)** : Specified torque

SB



$N \cdot m$  (kgf $\cdot$ cm, ft $\cdot$ lbf) : Specified torque